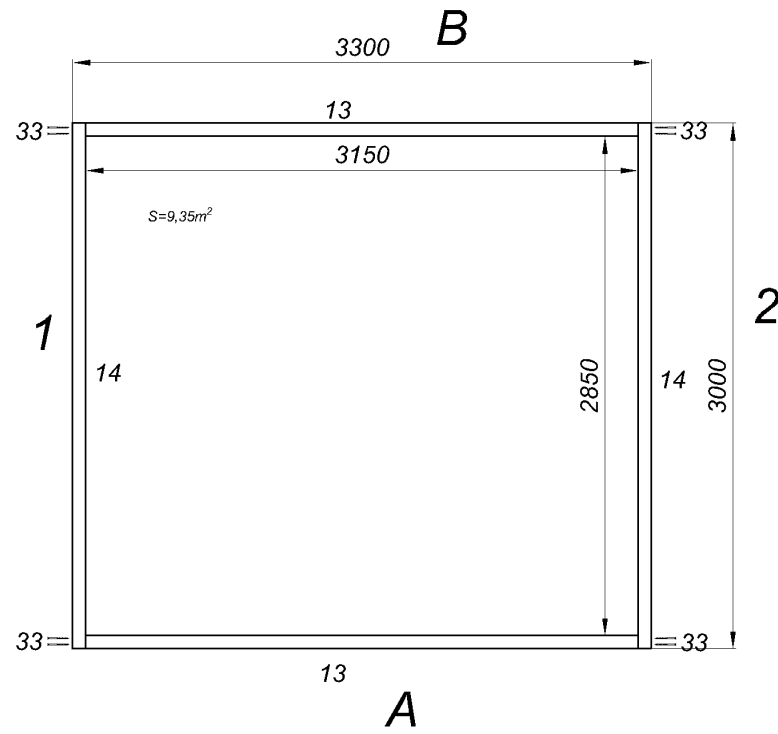
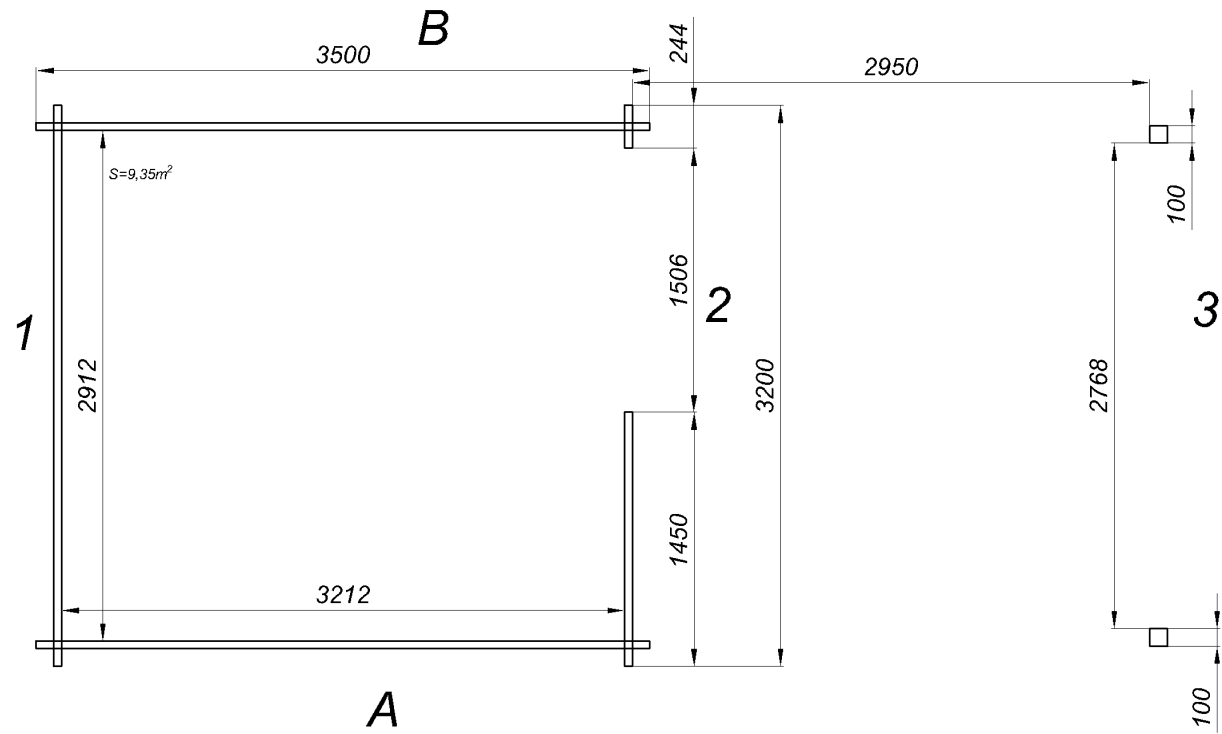


Boarding joist plan

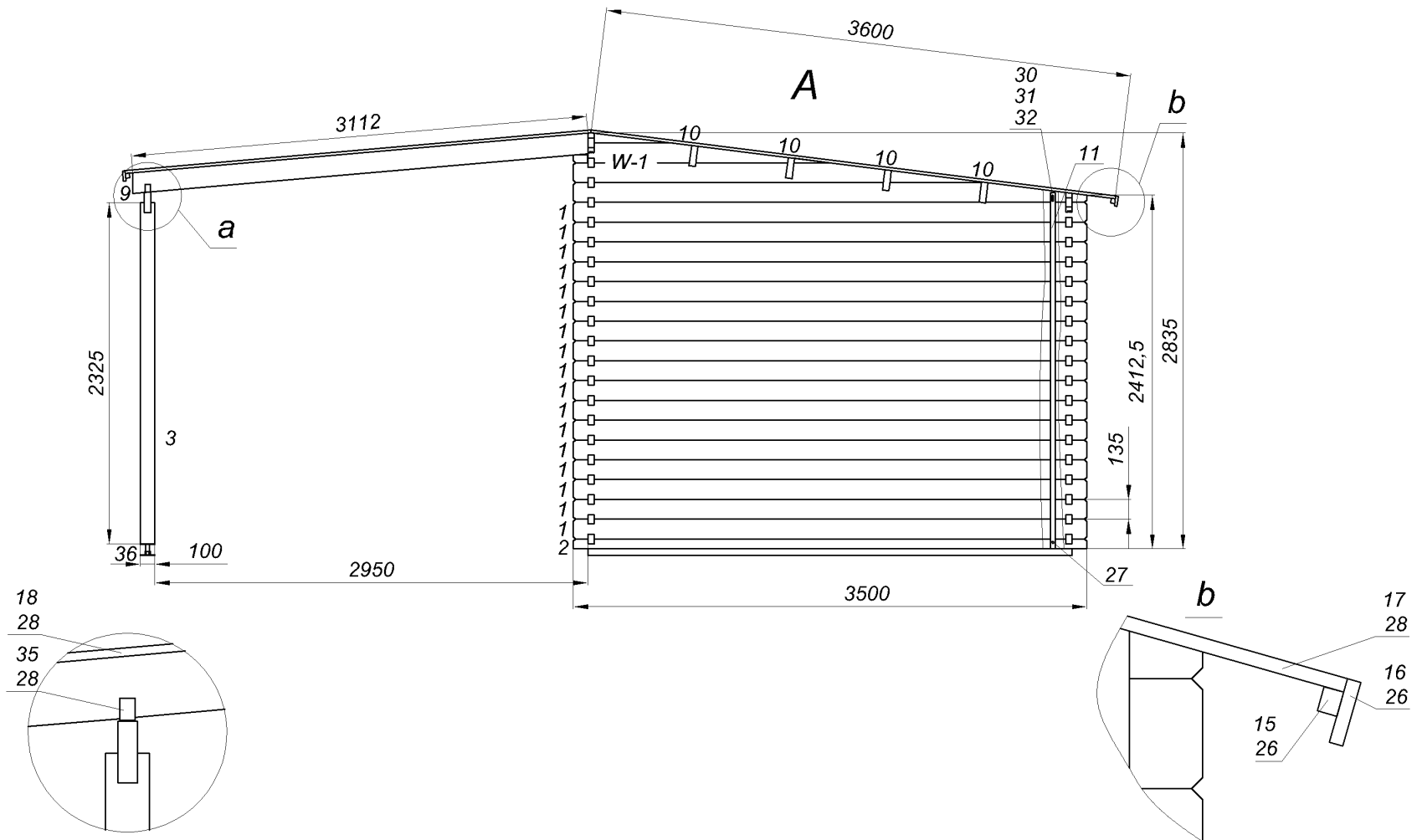


*Box cavalli 3.5x3.2 + tettoia 3x3.2 - 44*

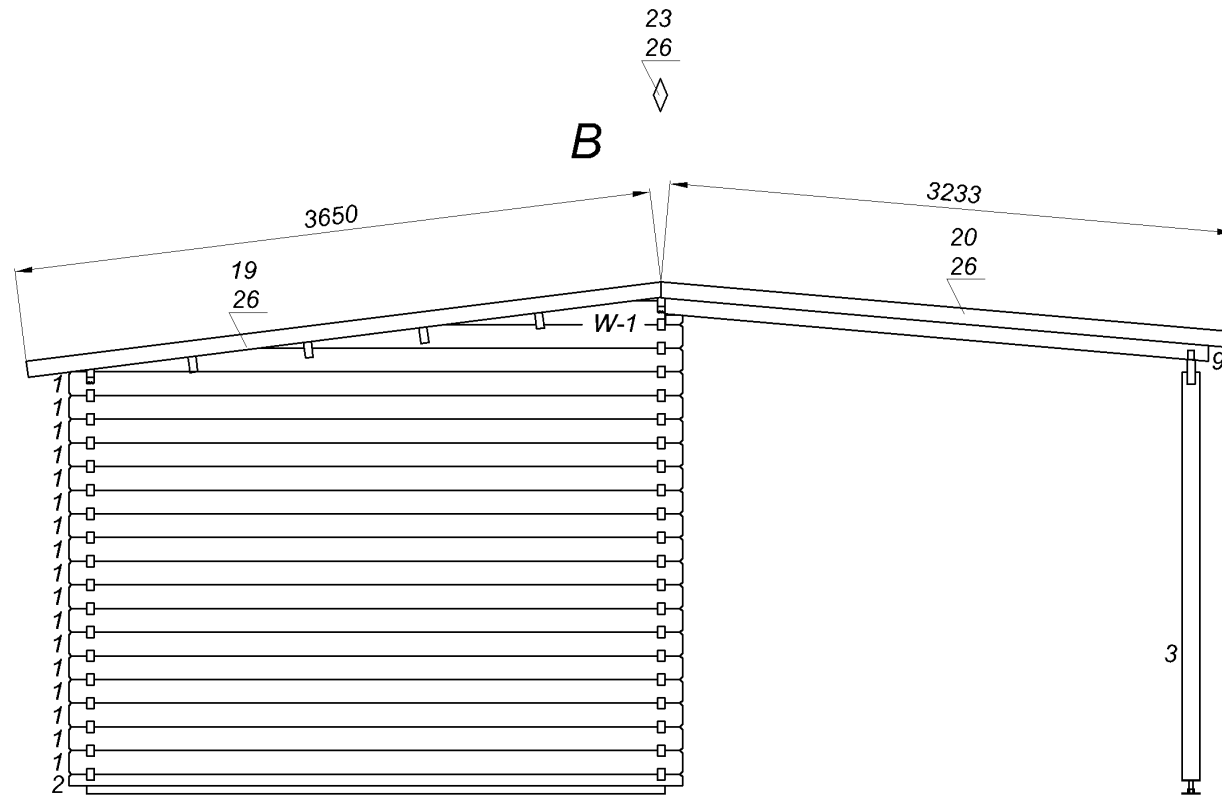
*Secure the boards to the ground with anchor screws*



Box cavalli 3.5x3.2 + tettoia 3x3.2 - 44

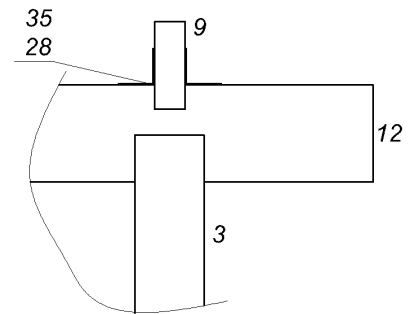
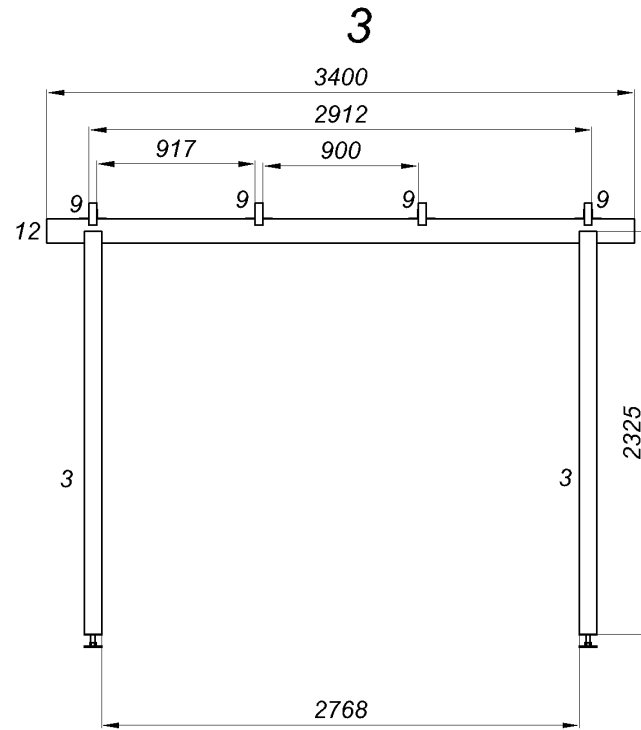


Box cavalli 3.5x3.2 + tettoia 3x3.2 - 44

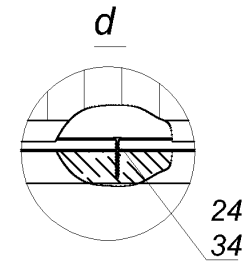
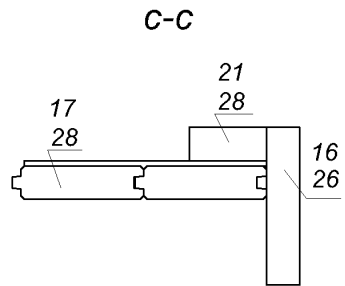
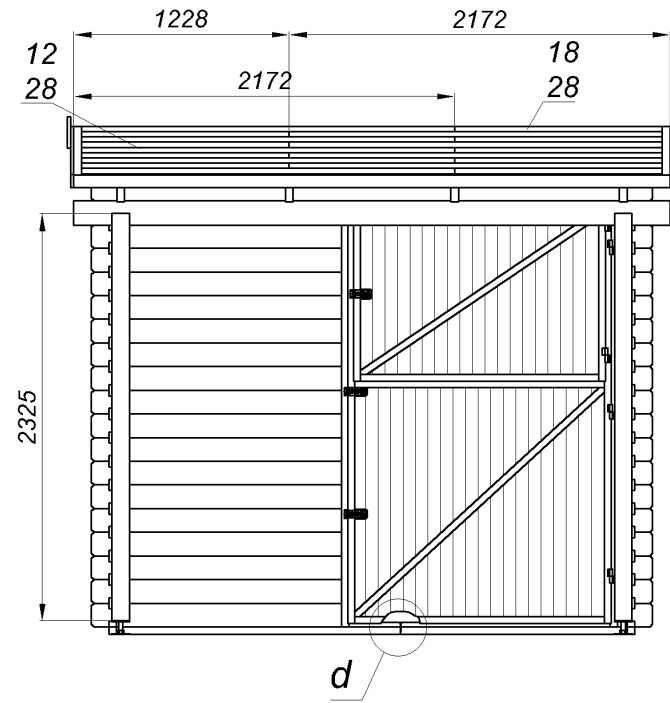
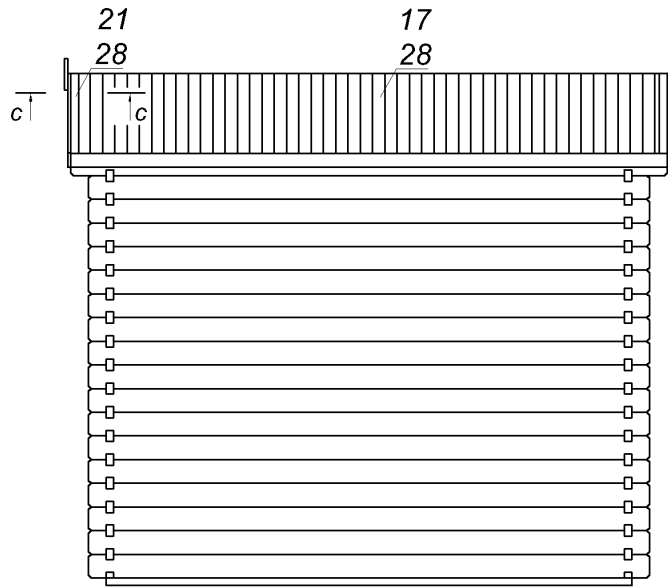




Box cavalli 3.5x3.2 + tettoia 3x3.2 - 44



Box cavalli 3.5x3.2 + tettoia 3x3.2 - 44



*Box cavalli 3.5x3.2 + tettoia 3x3.2 - 44*

*Vue exterieure  
View from outside*

